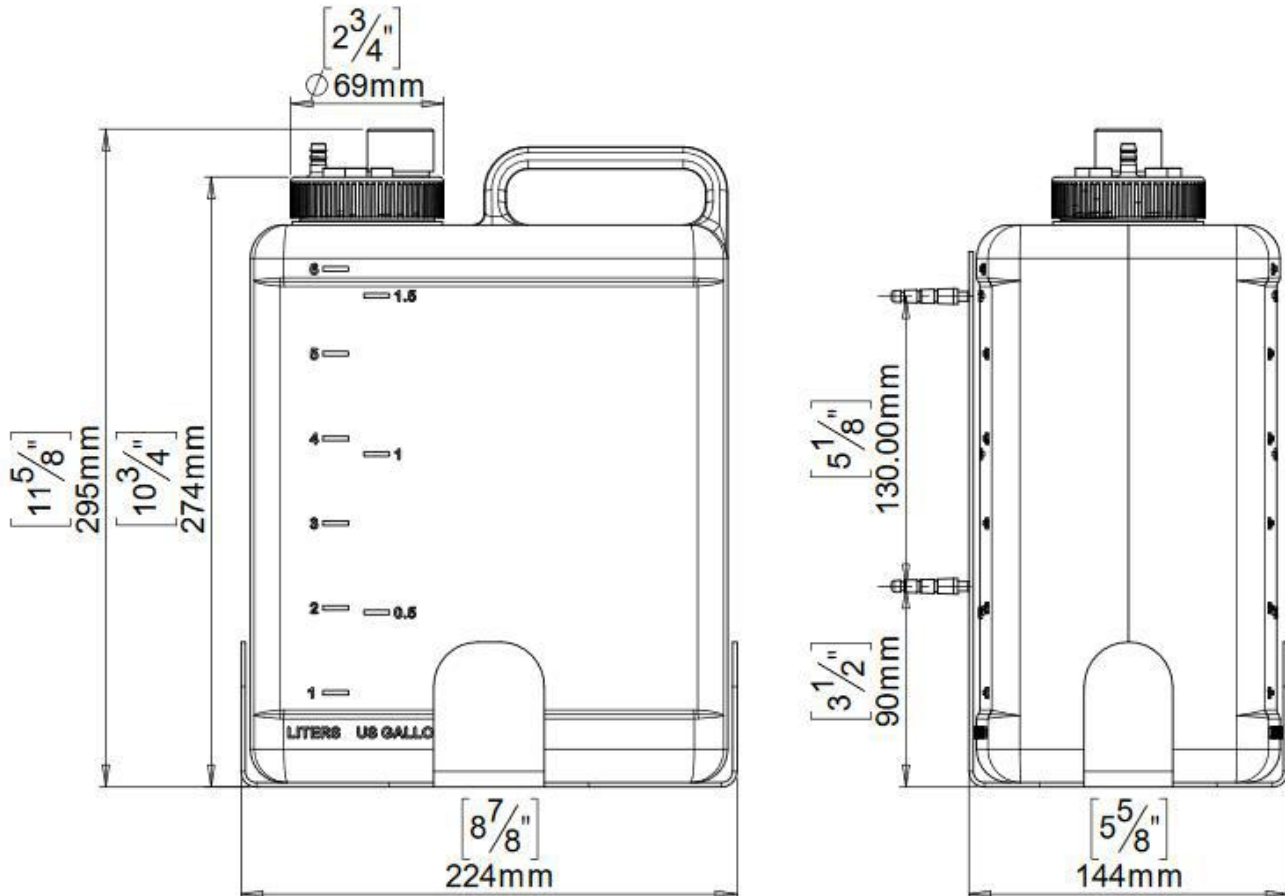




SPARE PARTS LIST

Multifeed Kit w/out top filling Cat. No 07220096



MULTIFEED KITS

Multiple soap dispensers installation kit

Features:

- Allows multiple soap dispensers installation (up to six (6) dispensers) with a single 1.6 US gallon (6L) tank
- Stainless Steel tank support

Options:

- Anti-theft top filling mechanism for easy refill from the counter top
- Top filling mechanism with anti-theft protection
- LED light indicator of soap level
- Under-the-deck filling mechanism

Advantages:

- Drastically reduces soap consumption
- Cross contamination protection - no physical contact
- Maximized savings - can be used with any non-proprietary soap
- Easy installation
- Fast and simple refill with optional LED indication of soap level
- Highly durable - with optional vandal-resistant top-filling mechanism

Note: In order to locate the relevant spare part, please check the corresponding parts and part number in the drawing. Minimum order quantity will be required.

* All information of the above is for the reference only. No prior notice is made if any changes.